



RAMM

FENCE & STALLS

Aisle Entry Door Installation Instructions

*BEFORE YOU BEGIN. Please be aware that every barn and every situation is unique. Some mild alterations might be required from the instructions in order to make it go smoothly for your barn.

For questions and comments please don't
hesitate to contact us!

RAMM@rammfence.com

800-878-5644

13150 Airport Highway

Swanton, OH 43558

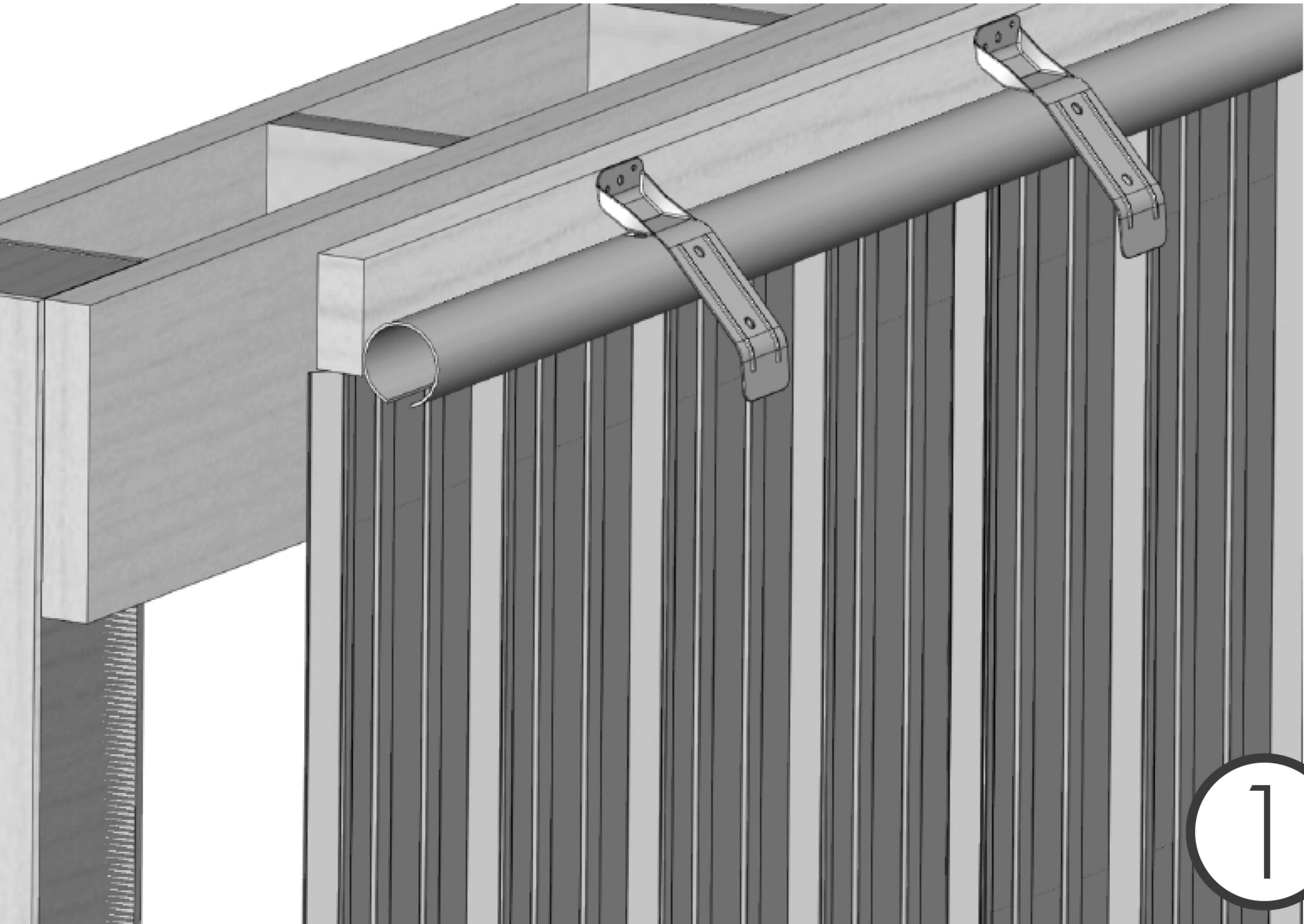
2x10

STEP 1 : Mount the track to the building, ensure that the track is straight and level

6x6 Post

2x4

Corrugated Metal Siding



2x10

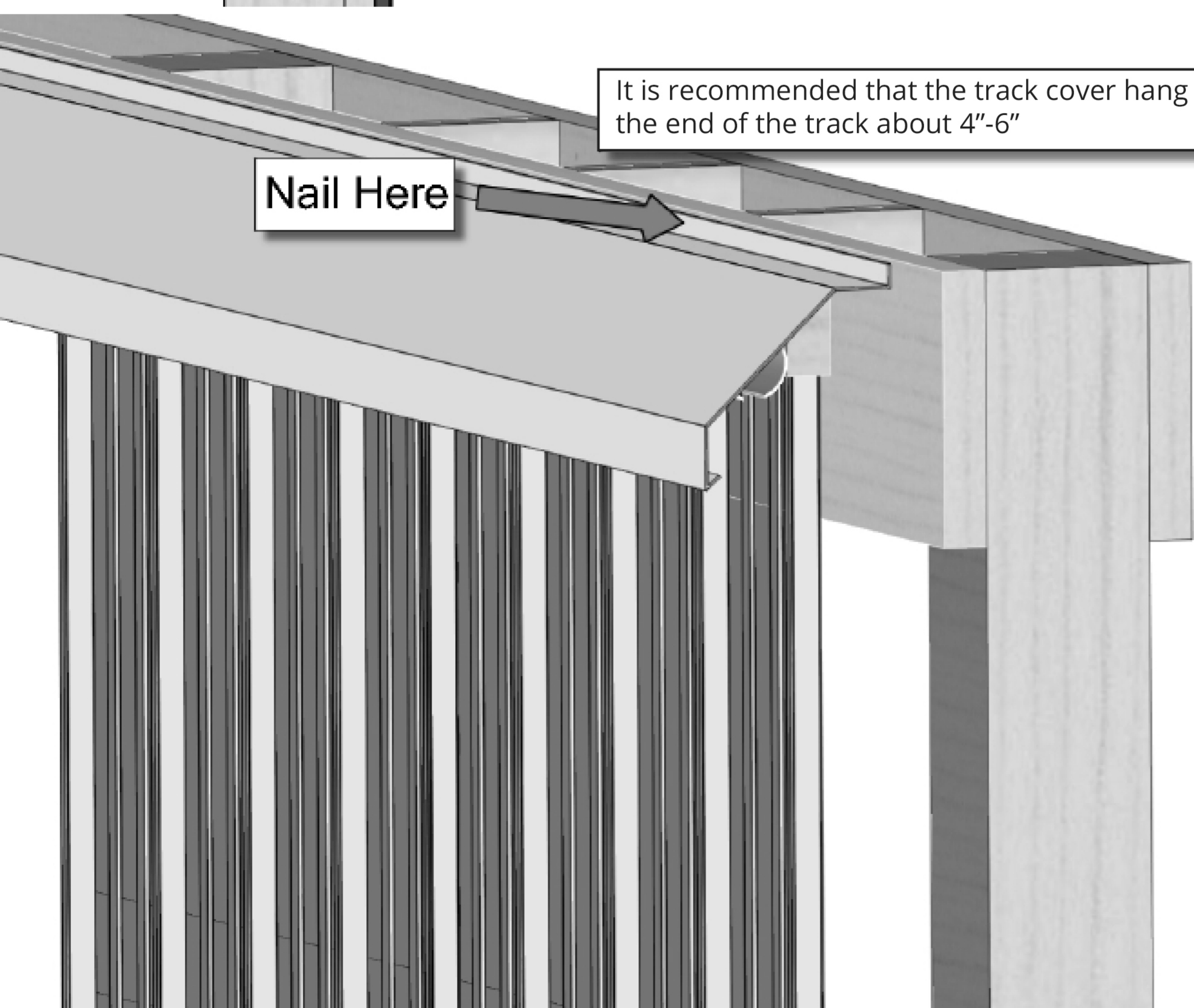
STEP 2: Hang the track cover, nail on the flange as shown

6x6 Post

Track Cover

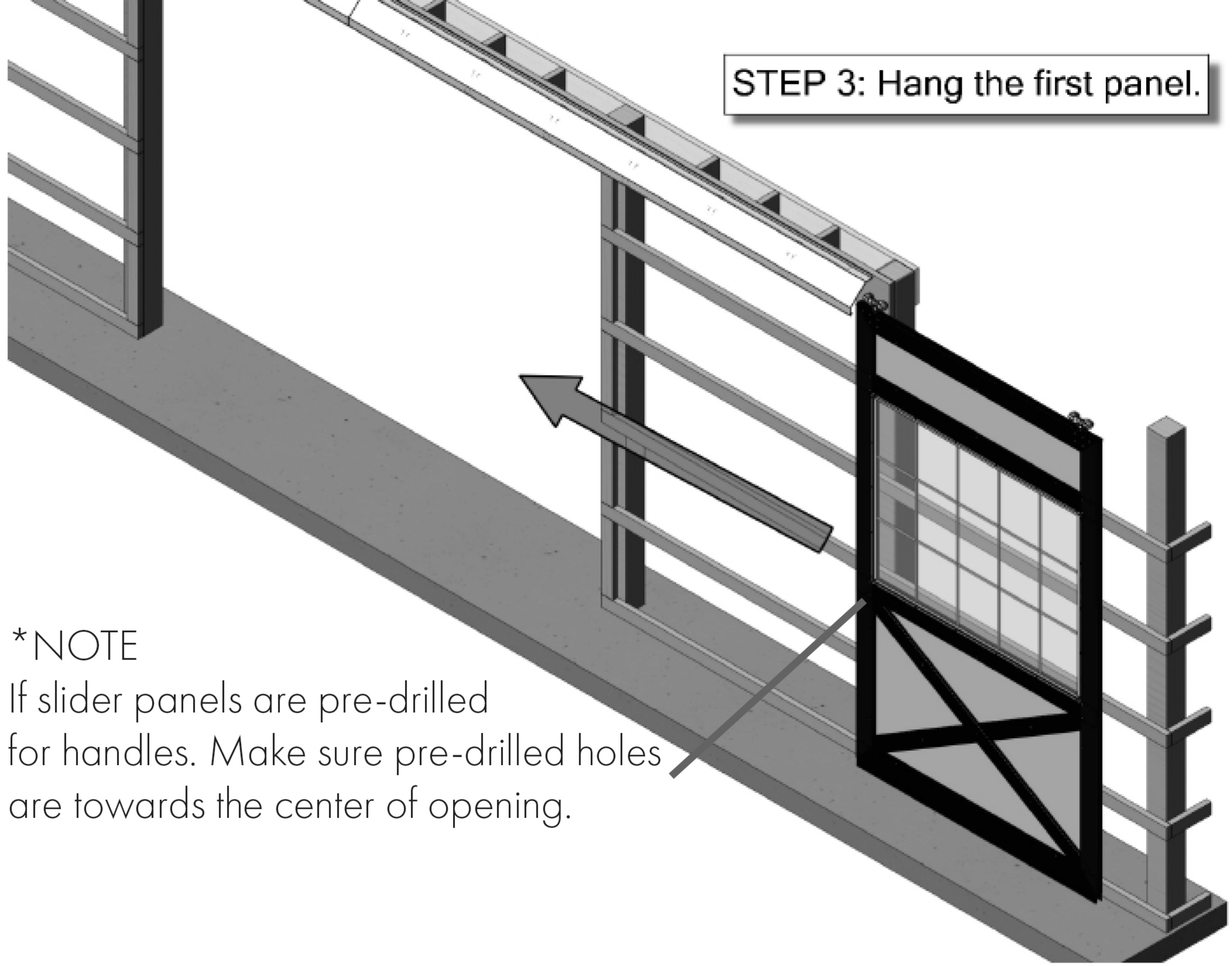
2x4

Corrugated Metal Siding



It is recommended that the track cover hang past the end of the track about 4"-6"

STEP 3: Hang the first panel.



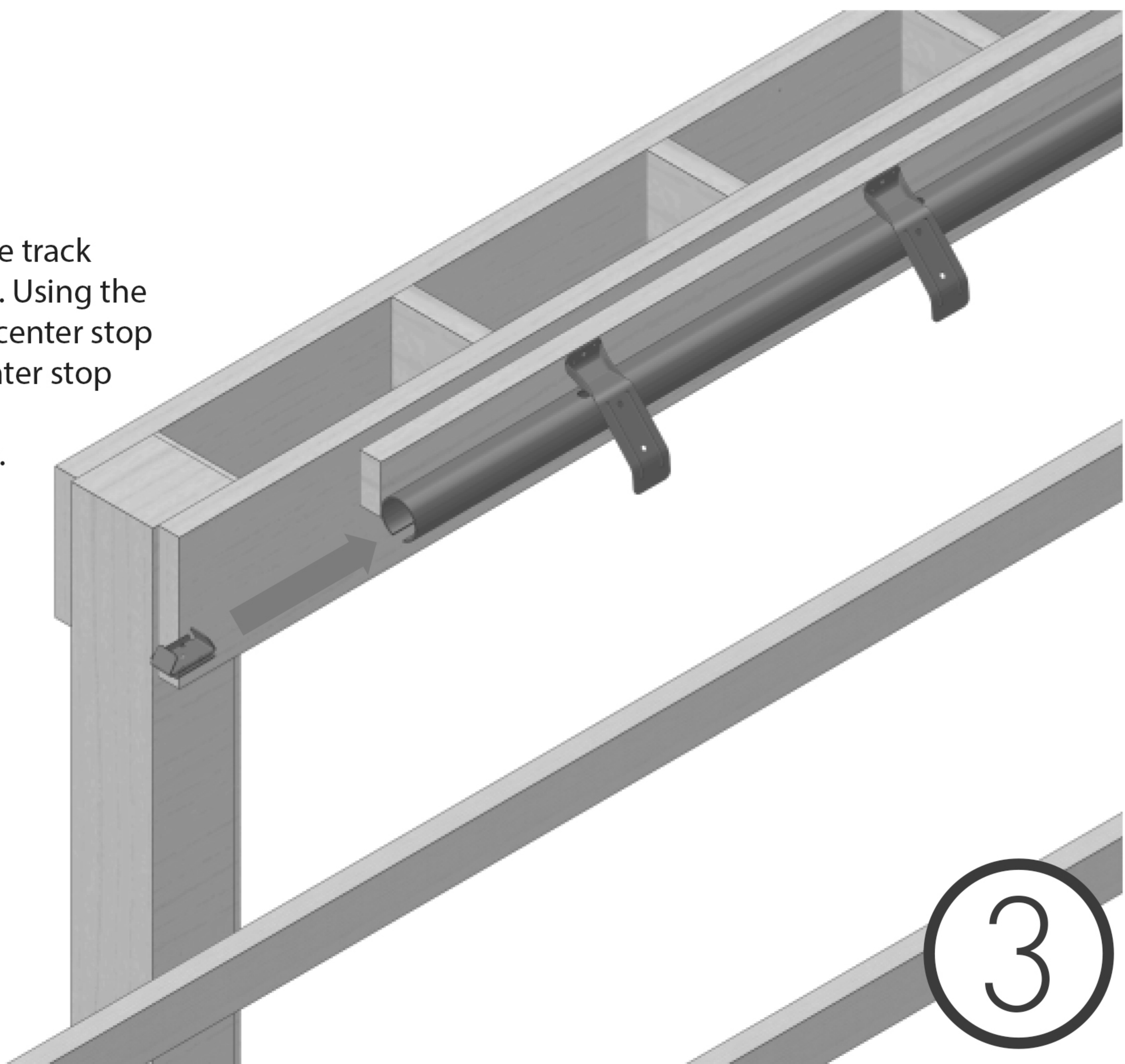
***NOTE**

If slider panels are pre-drilled for handles. Make sure pre-drilled holes are towards the center of opening.

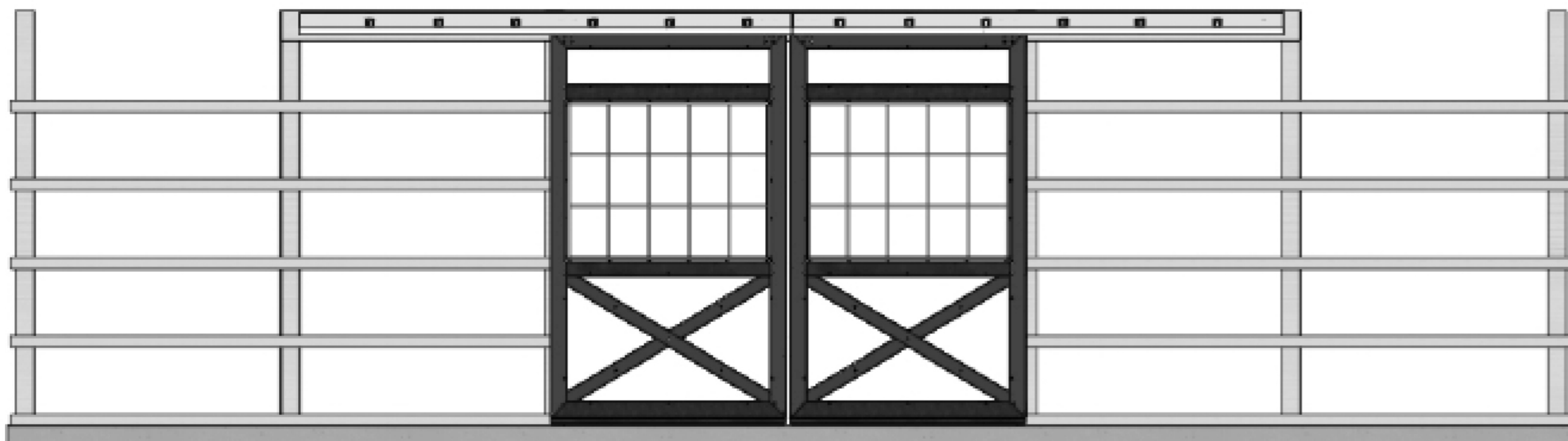
STEP 4: Track Center Stop

Slide the track center stop into the track before hanging the second panel. Using the provided self-tappers, fasten the center stop to the track. This prevents the center stop from coming loose.

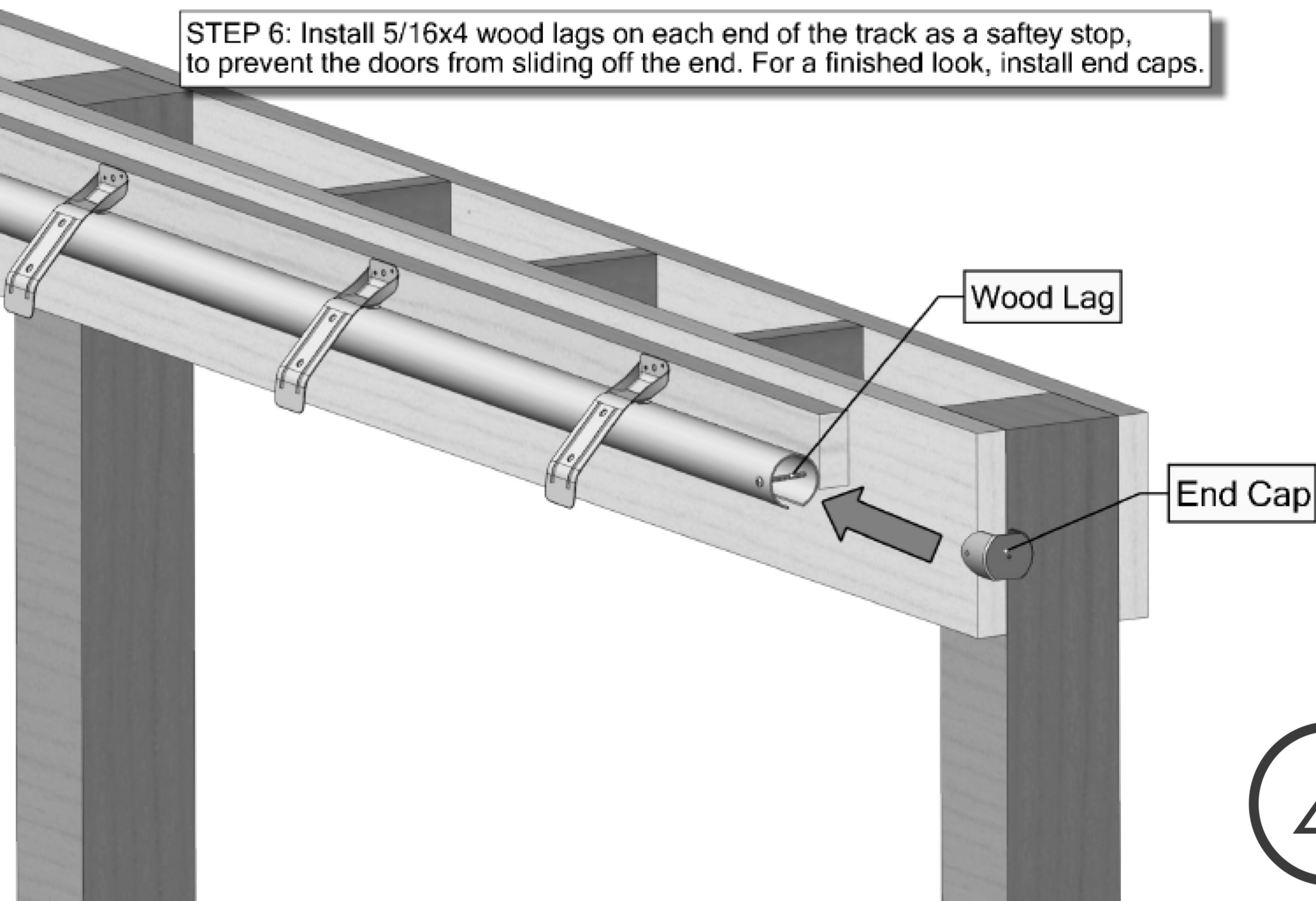
*Track cover not shown for clarity.



STEP 5: Hang the second door panel. Adjust the trolleys to the desired height to obtain a level and smooth appearance.

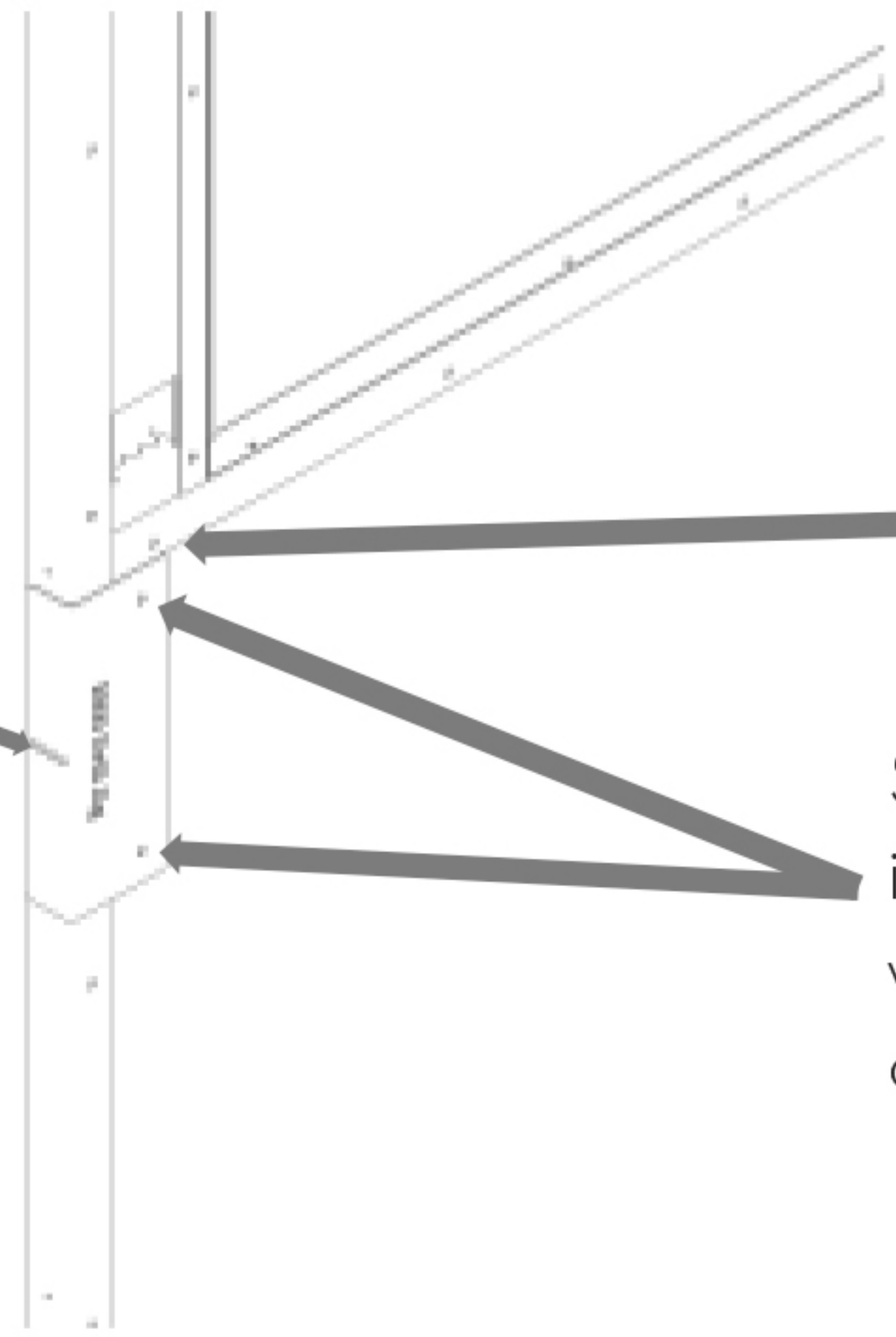


STEP 6: Install 5/16x4 wood lags on each end of the track as a safety stop, to prevent the doors from sliding off the end. For a finished look, install end caps.



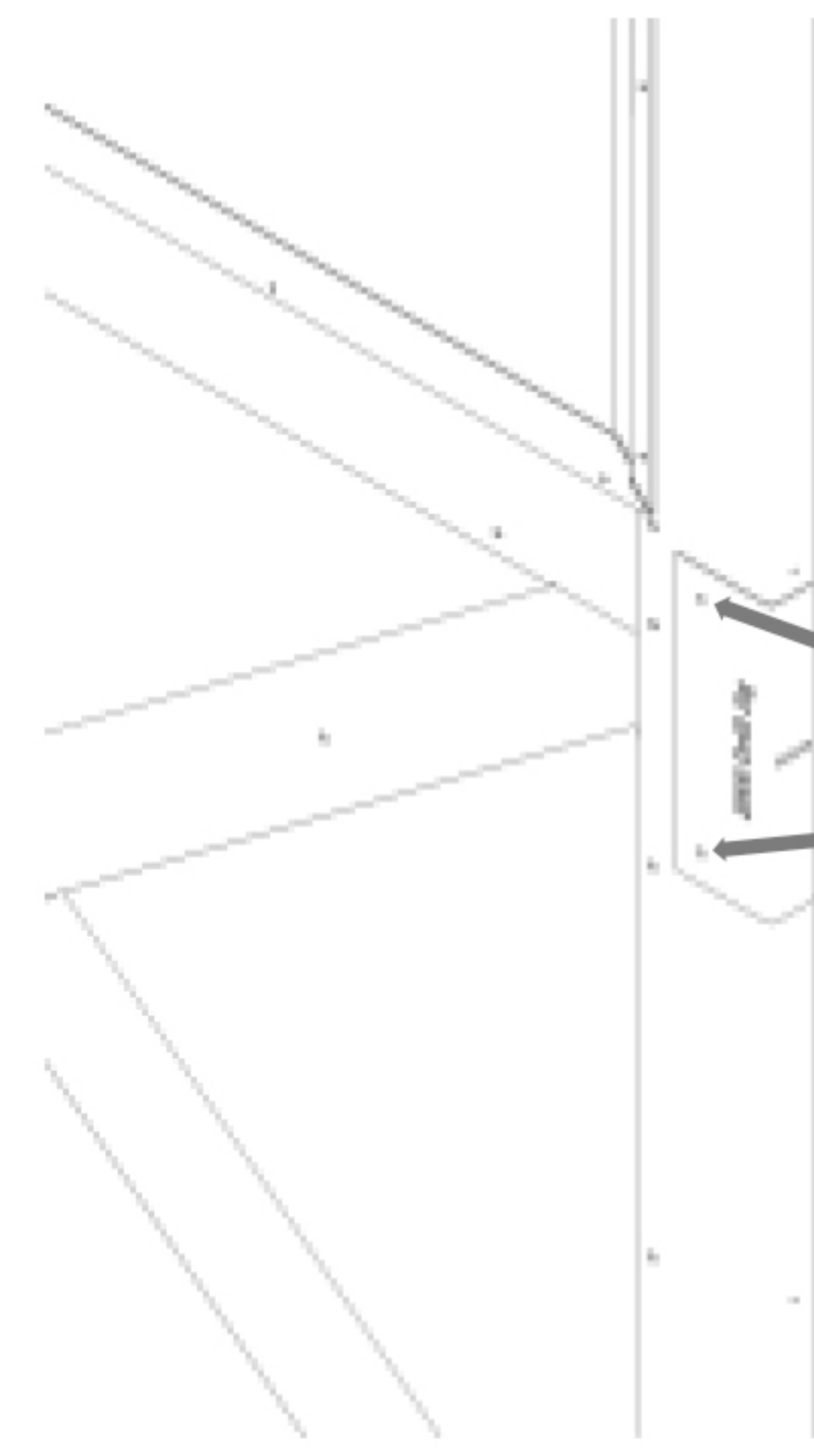
STEP 7: Handle installation must be done before adjustable door stops or stay blocks are installed.

Mark a line using a pencil in slot. This will be used to line up drill jig for front holes.



Make drill jig even with this edge

Start with the back of the door. Holding drill jig in corner as shown, drill top and bottom holes with a 1/4" bit. Drill through plywood core only.



Align slot in drill jig with pencil line.

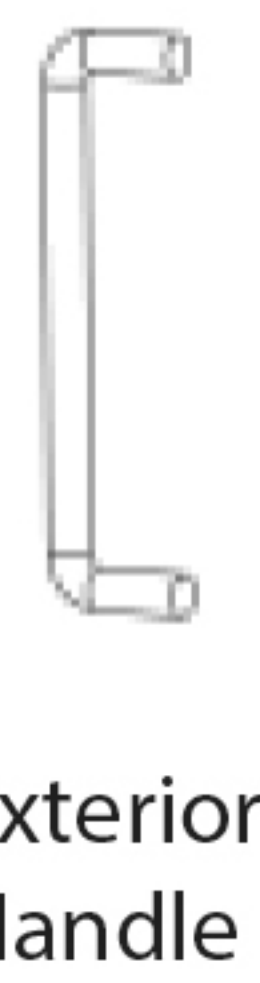
Holding drill jig in place, drill through front of door and holes drilled from back.



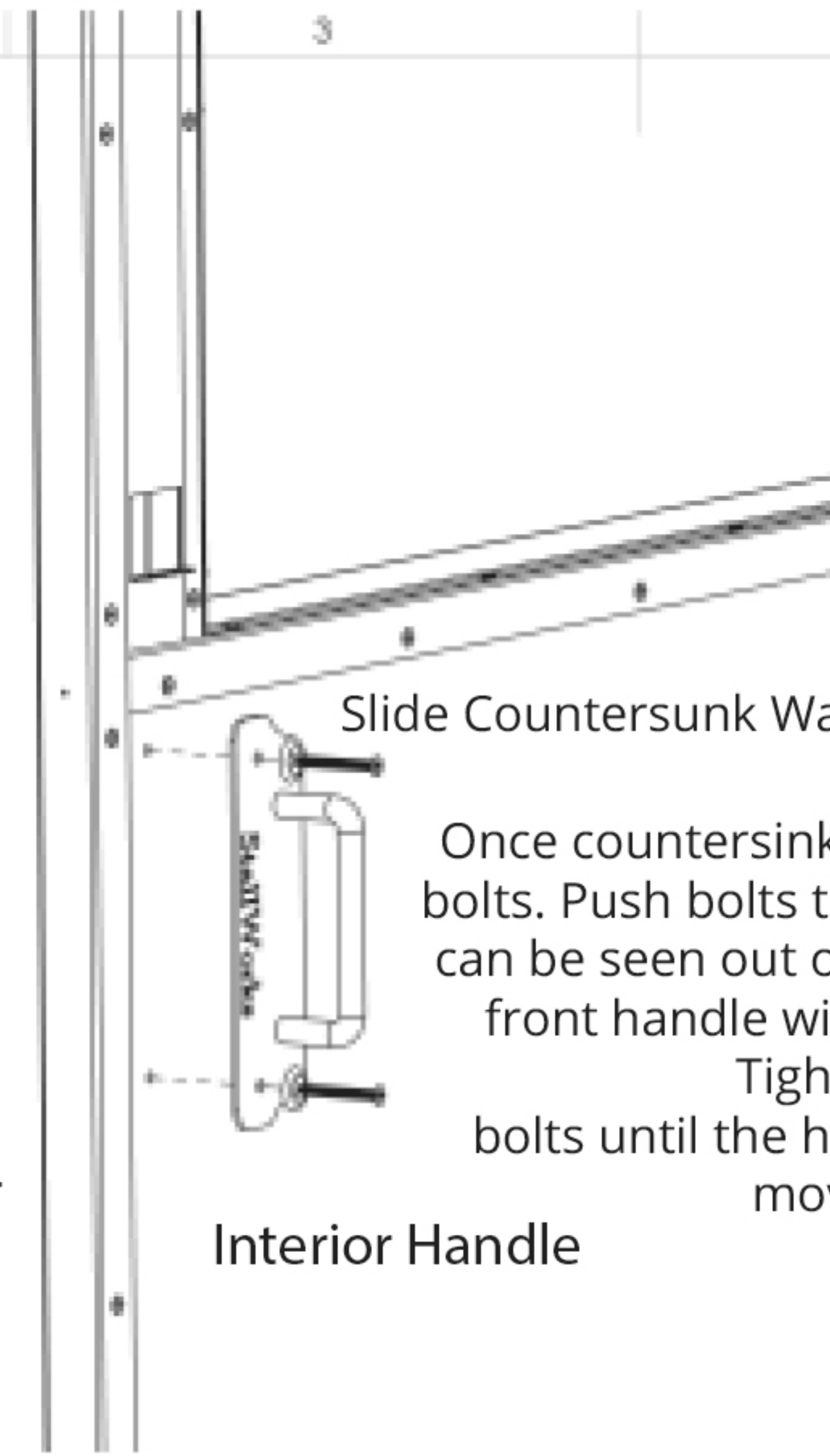
Interior Handle



Exterior Handle



Exterior Handle



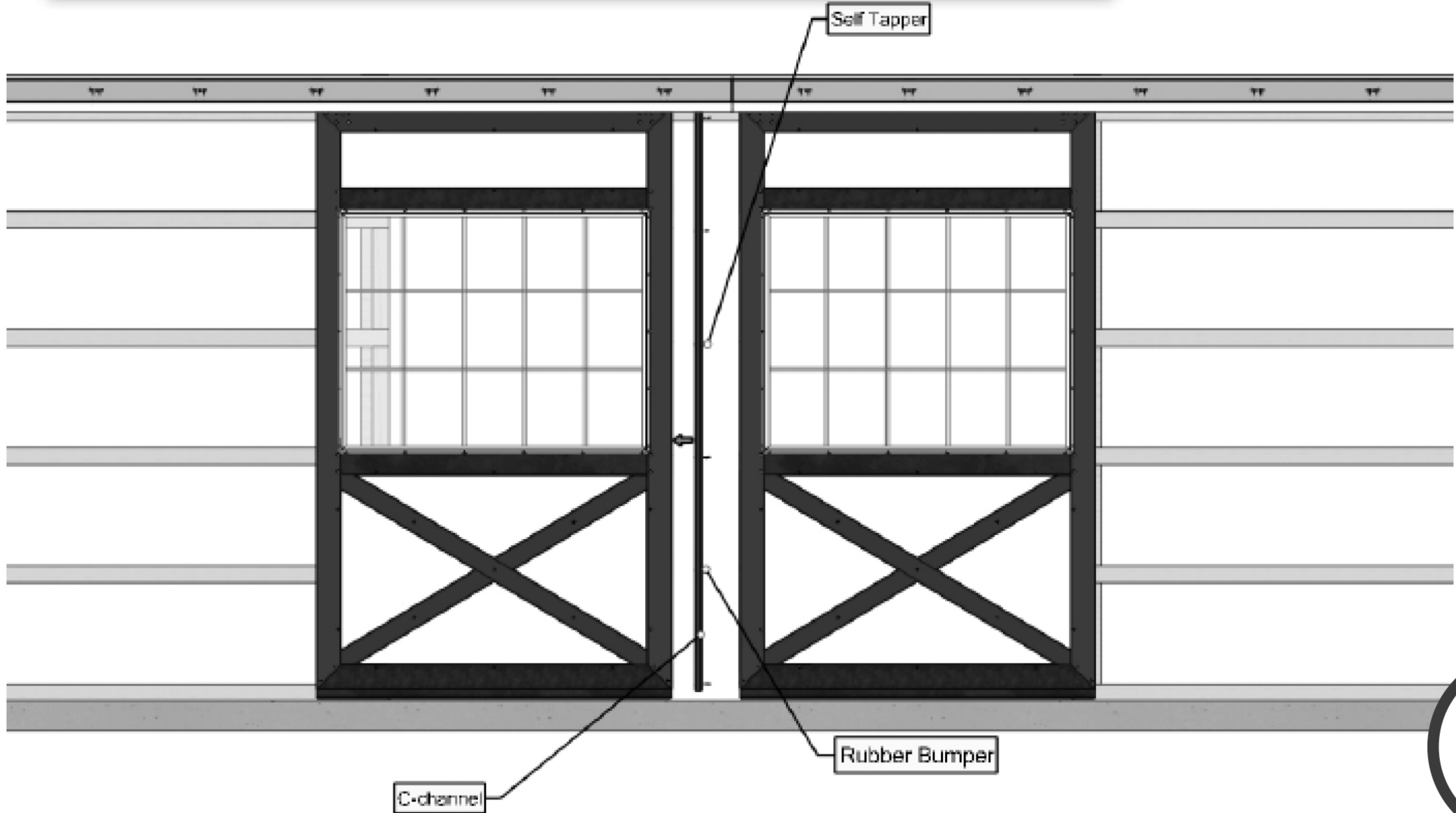
Slide Countersunk Washers onto bolts

Once countersink washers are on bolts. Push bolts through until they can be seen out of the front. Align front handle with those bolts.

Tighten bolts until the handle does not move.

Interior Handle

STEP 8: Using the pre-drilled holes in the door panel, attach the C-Channel to one door using self-tapping screws provided (yellow bag). Pair 2 of the rubber bumpers using the self-tapping screws at the top and bottom of the C-Channel as shown. This provides a quiet close.

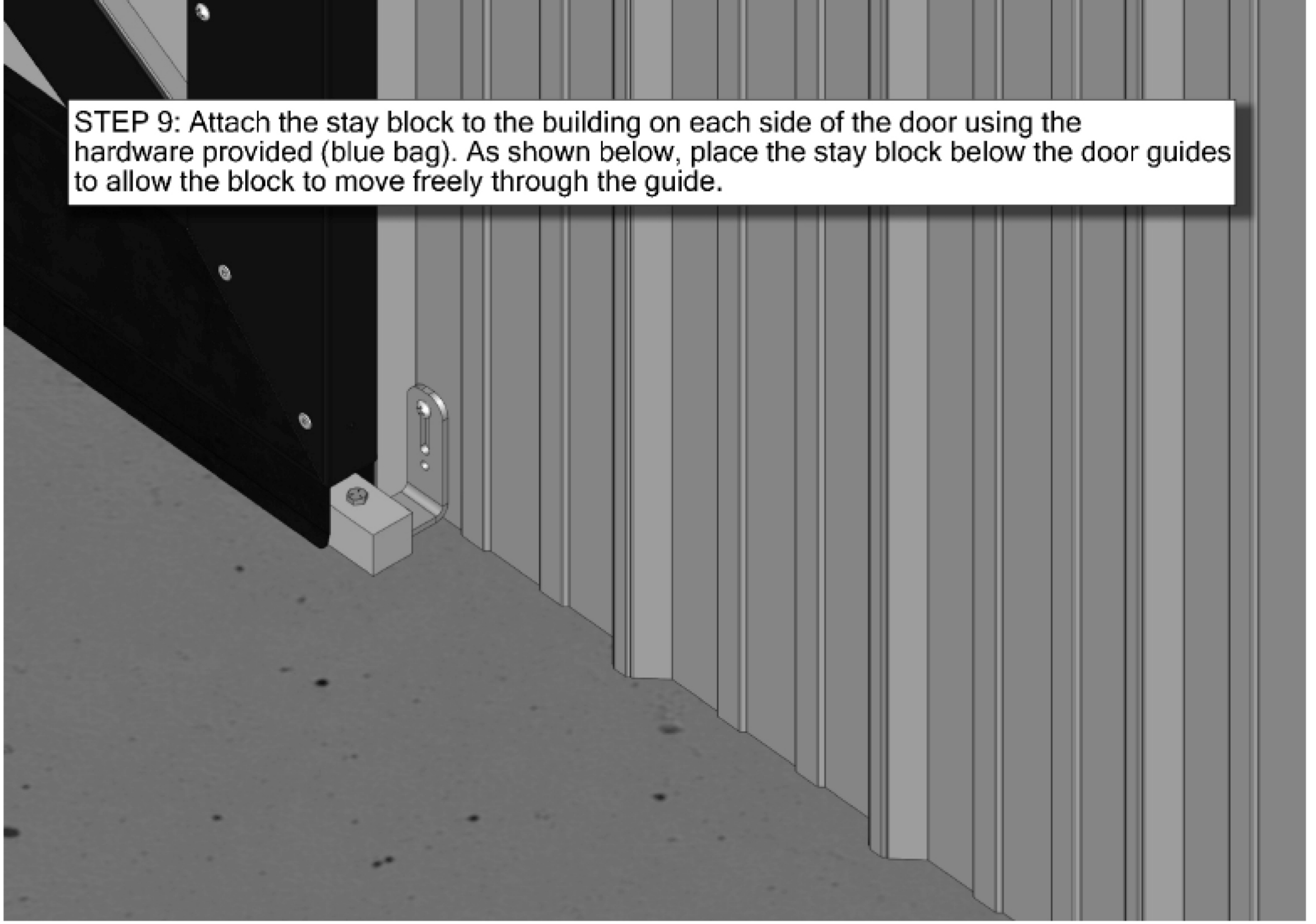


Self Tapper

Rubber Bumper

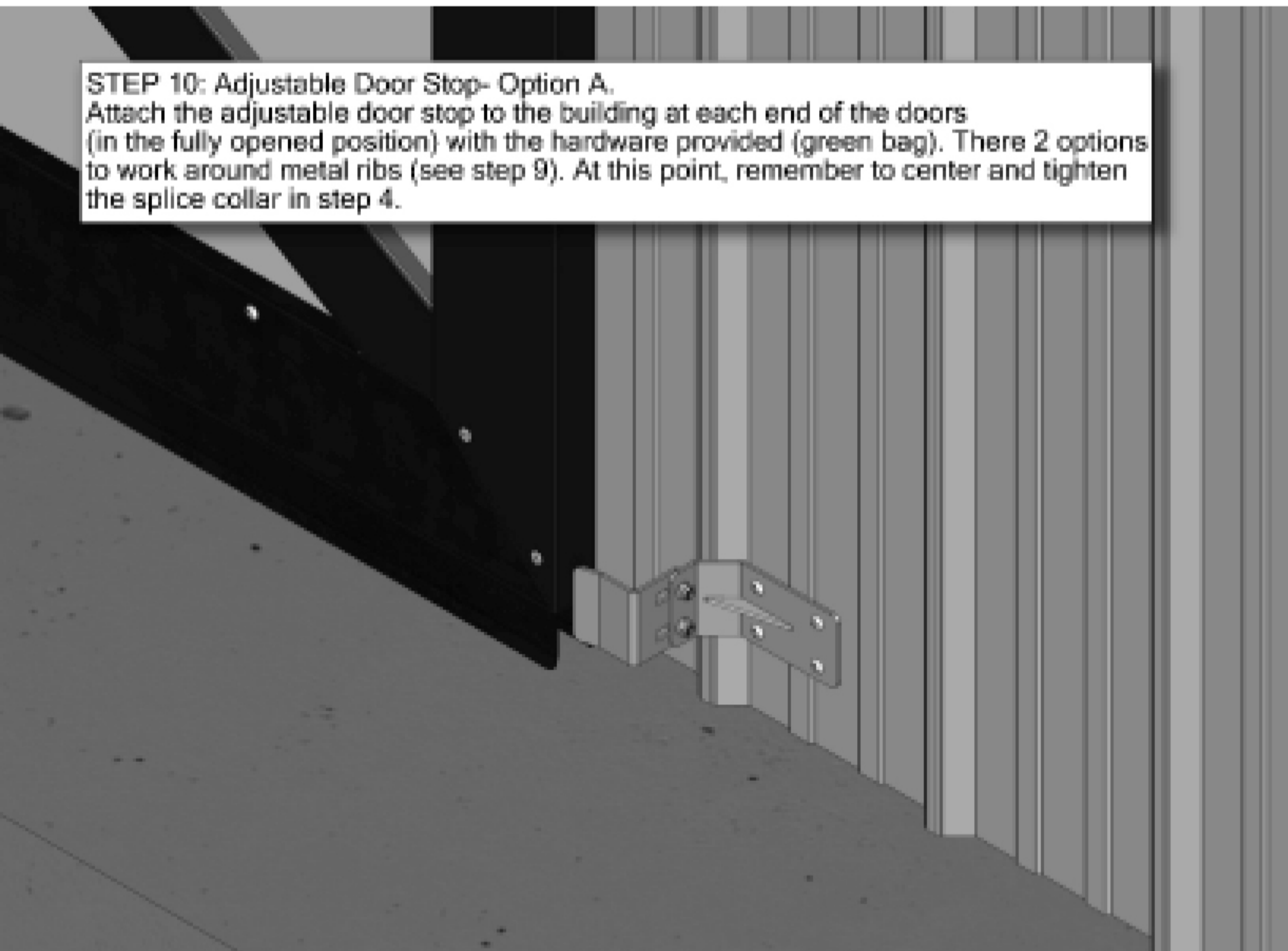
C-channel

STEP 9: Attach the stay block to the building on each side of the door using the hardware provided (blue bag). As shown below, place the stay block below the door guides to allow the block to move freely through the guide.

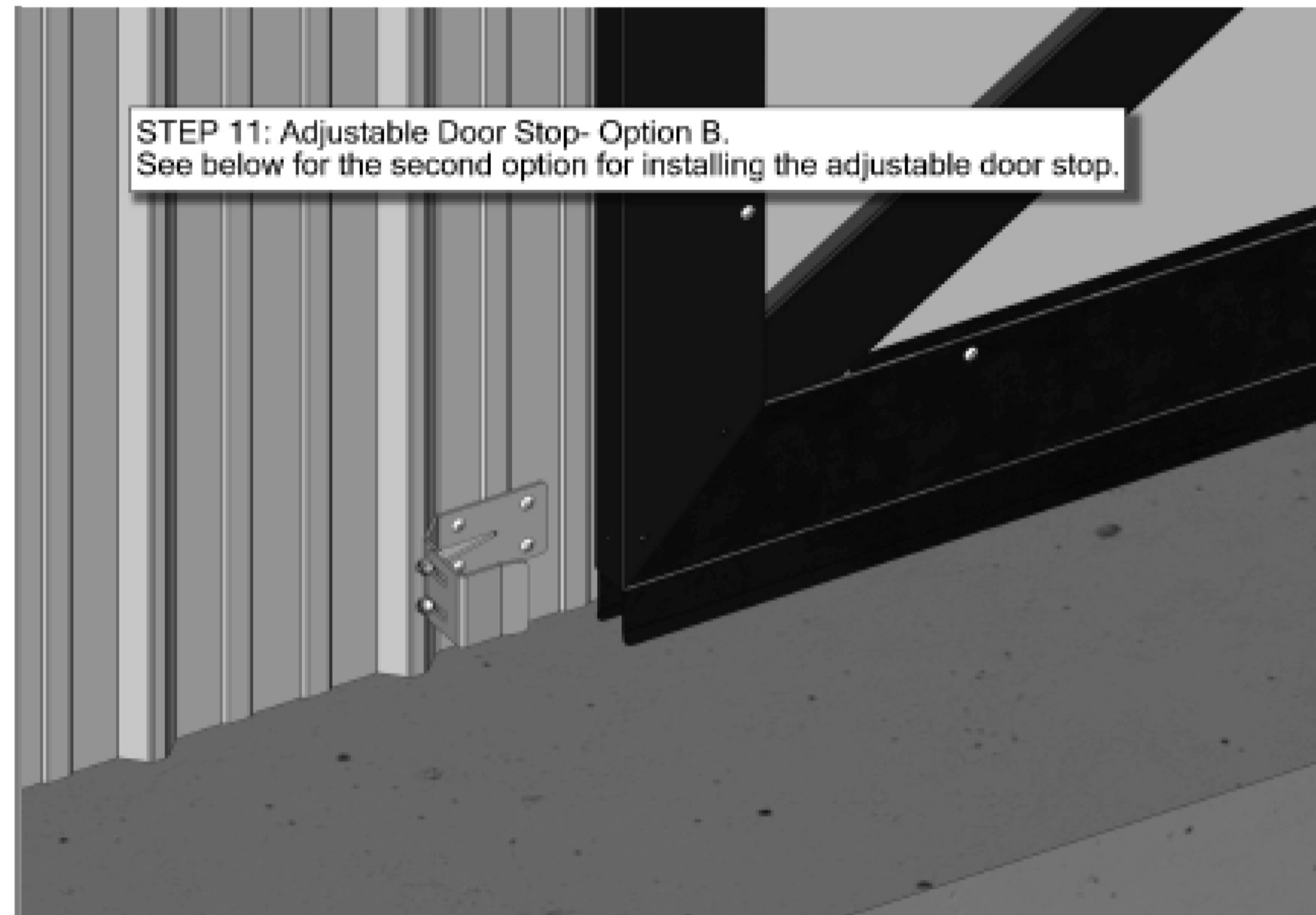


*Once stay blocks are in place. Be sure to go back and tighten the splice collar in step 4. Do this before moving to the next step.

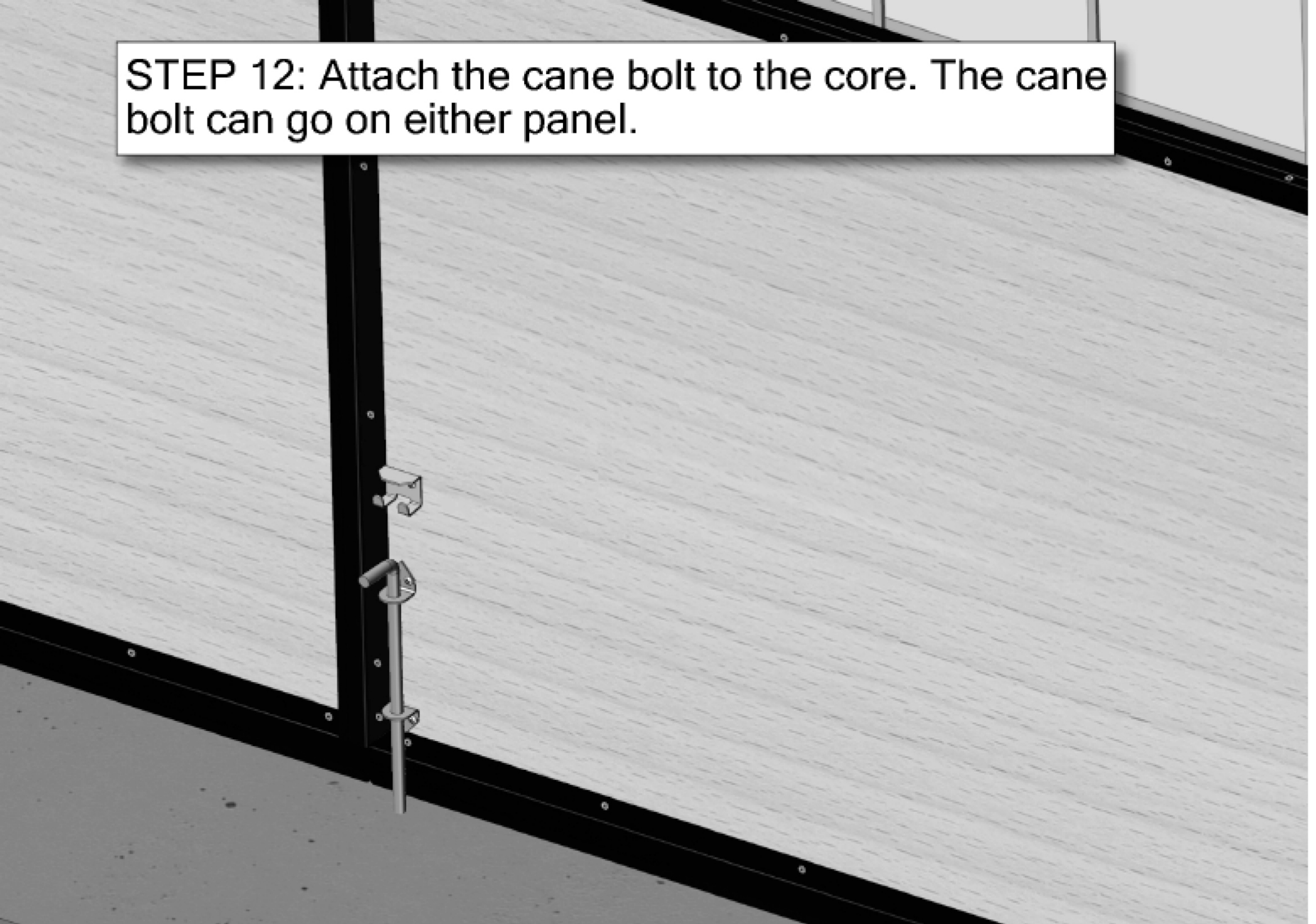
STEP 10: Adjustable Door Stop- Option A.
Attach the adjustable door stop to the building at each end of the doors (in the fully opened position) with the hardware provided (green bag). There 2 options to work around metal ribs (see step 9). At this point, remember to center and tighten the splice collar in step 4.



STEP 11: Adjustable Door Stop- Option B.
See below for the second option for installing the adjustable door stop.



STEP 12: Attach the cane bolt to the core. The cane bolt can go on either panel.

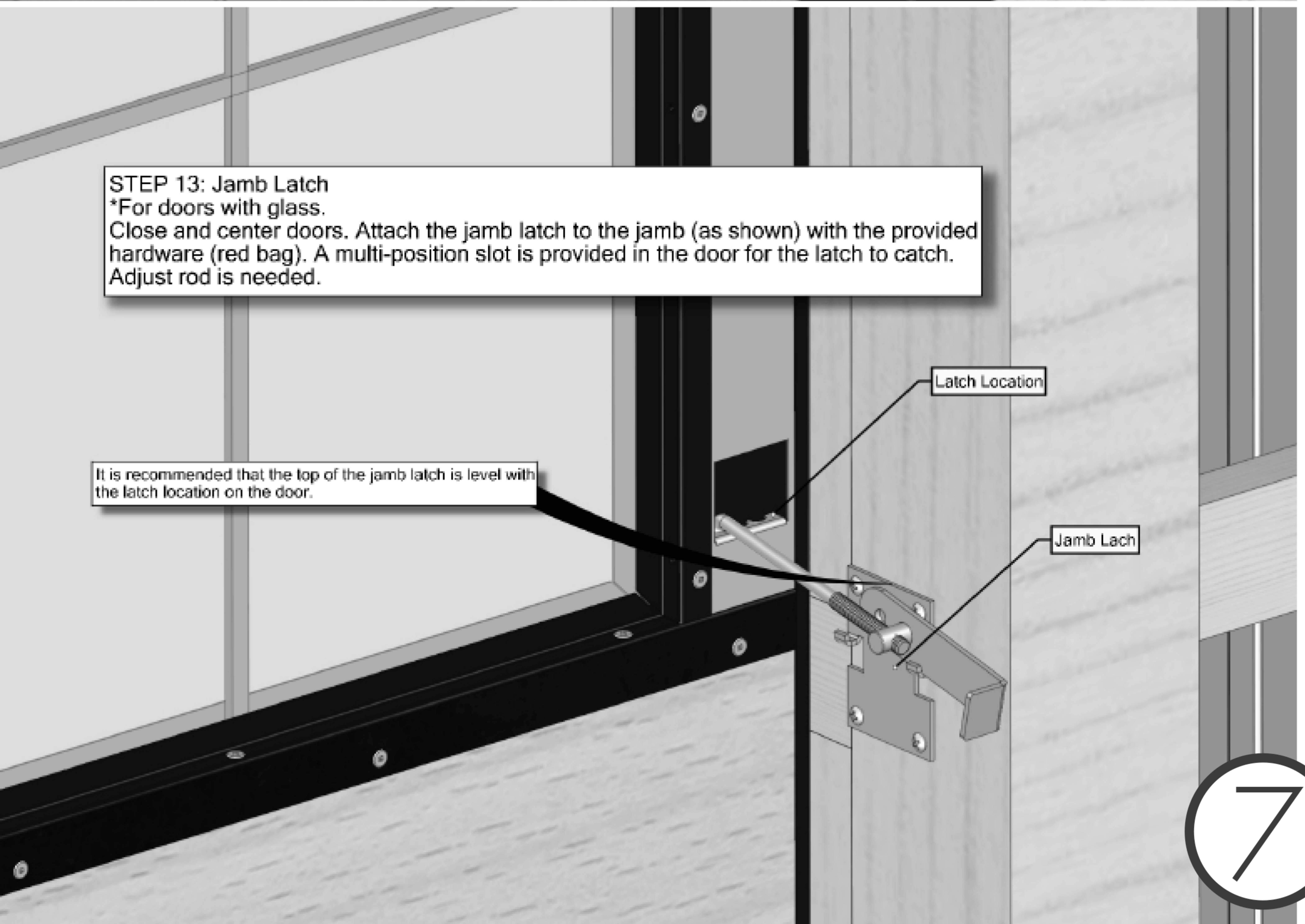


STEP 13: Jamb Latch

*For doors with glass.

Close and center doors. Attach the jamb latch to the jamb (as shown) with the provided hardware (red bag). A multi-position slot is provided in the door for the latch to catch. Adjust rod is needed.

It is recommended that the top of the jamb latch is level with the latch location on the door.

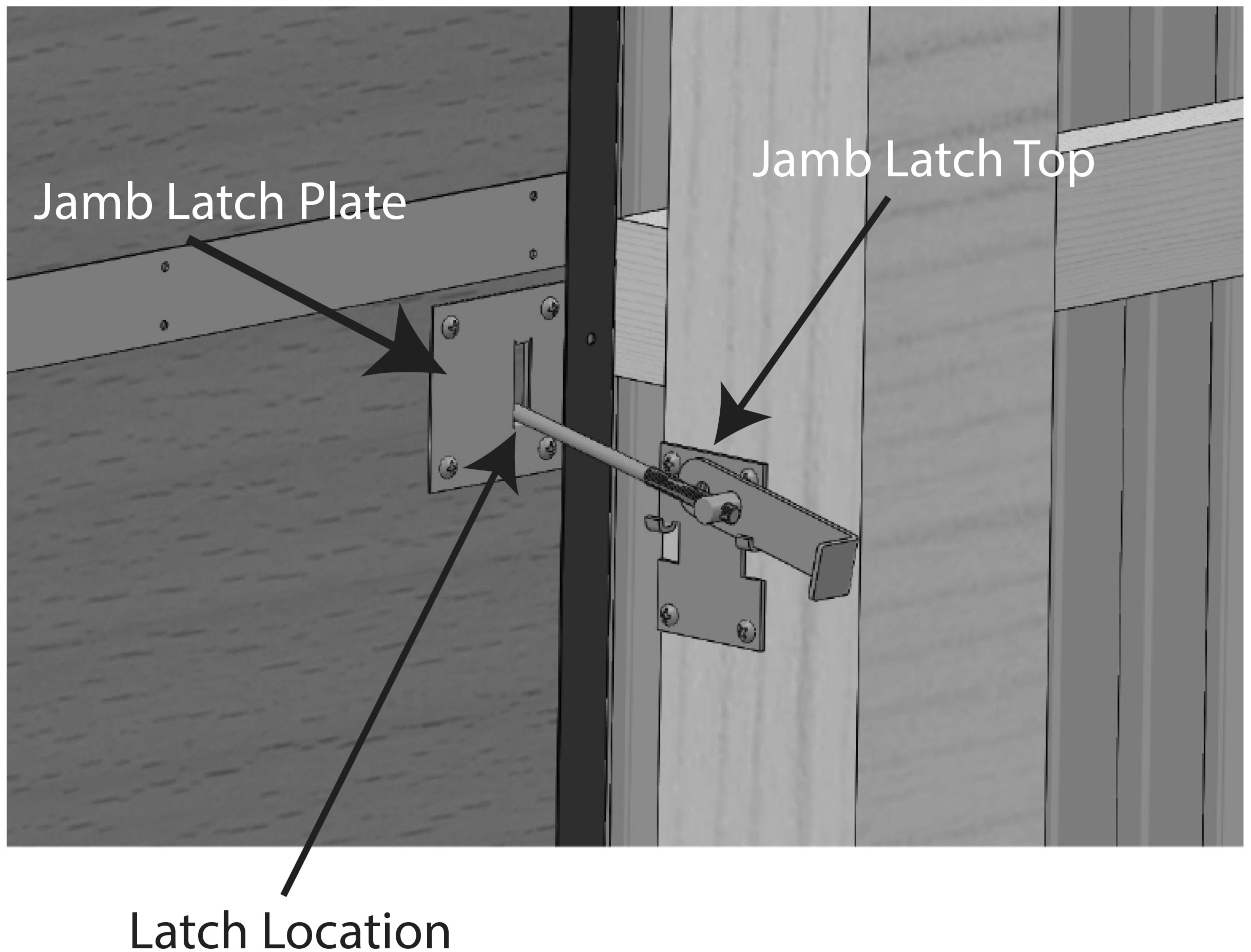


Step 14

*For doors without glass.

Close and center doors. Place jamb latch plate at desired height. Mark the opening of the jamb latch plate on to the core of the slider. Drill this area out no more than the thickness of the plywood.

The top of the Jamb latch should be flush with the latch location. (Refer to Step 12).



Your Premier Slider is now complete. If you have any questions or comments, please don't hesitate to contact us. We are here to help!

EMAIL: RAMM@rammfence.com PHONE: 800-878-5644

RAMMFENCE.com

