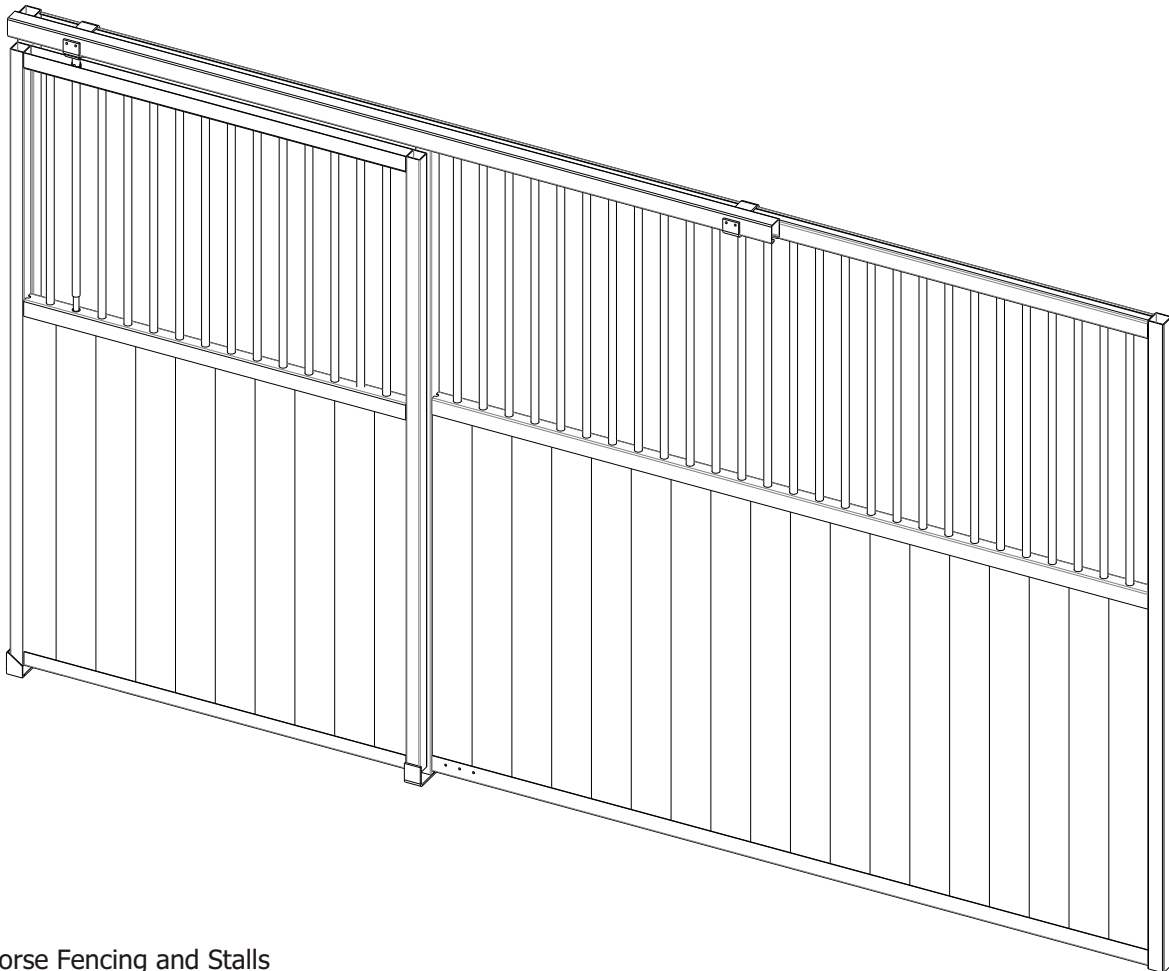




Portable Panel Stalls

Installation Instructions



Wood Installation

DOOR

Cut boards to 46 1/2". If using tongue and groove boards, remove tongue on first board before sliding it up through the cutout in the bottom channel and over against door frame.

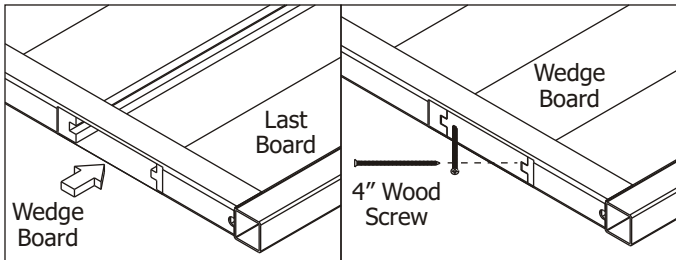
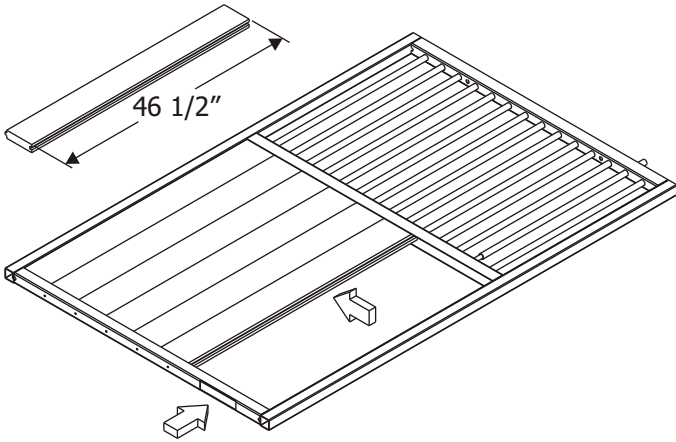
Slide boards into place until there is only room for less than one board.


Rip the last board as necessary, removing groove if using tongue and groove boards.

Remove one board from the door. This will be the "Wedge Board".

Insert the last board and slide against the door side frame.

Slide the "Wedge Board" back into the door and secure with (2) 4" wood screws at a 45° angle, driving the screw the "Wedge Board" and into the next board. One screw in each direction.



 Depending on the type of lumber you are using, ripping of boards may be necessary.

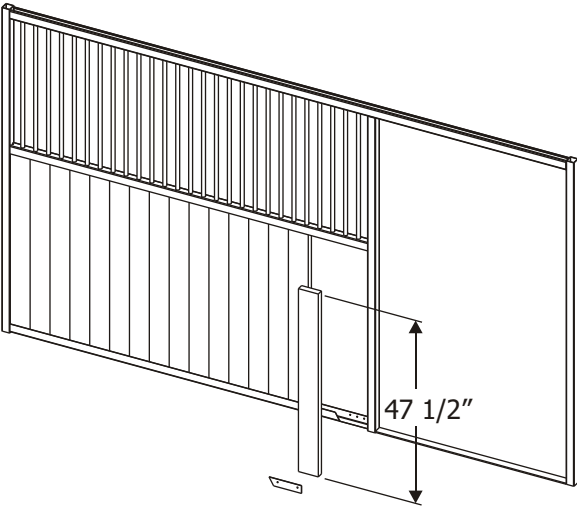
Cut boards to length then slide boards into place until there is only room for less than one board.

Rip last board as necessary, removing tongue if using tongue and groove boards.

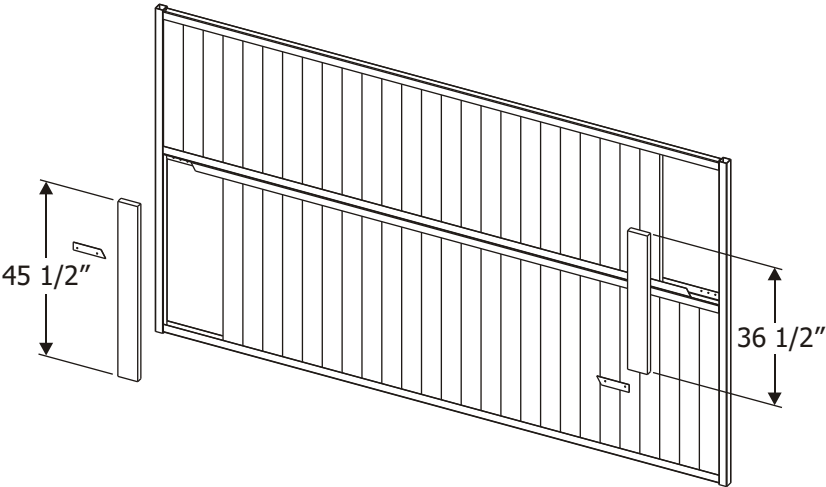
Secure last board in place with SS1 screws through holes in channel.

Attach wood cover plate to cutout in channel with SS1 screws.

FRONTS/GRILLED PARTITIONS



SOLID PARTITIONS

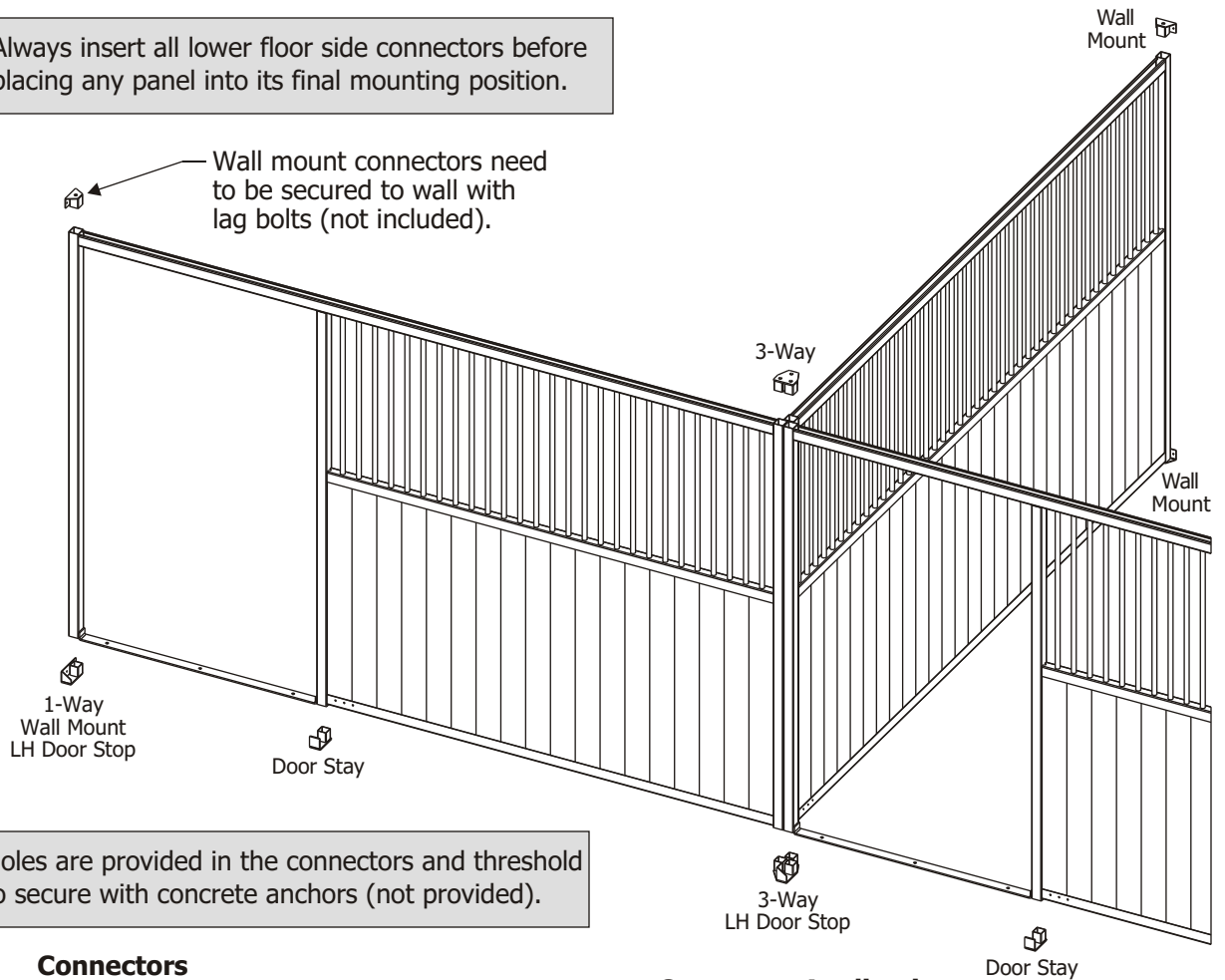


	Length	Approx. # of boards
Door	46 1/2"	9
Stall Front	47 1/2"	10' - 14 12' - 18
Grilled Partition	47 1/2"	10' - 24 12' - 28
Solid Partition		
Upper	36 1/2"	10' - 24
Lower	45 1/2"	12' - 28

Panel Assembly

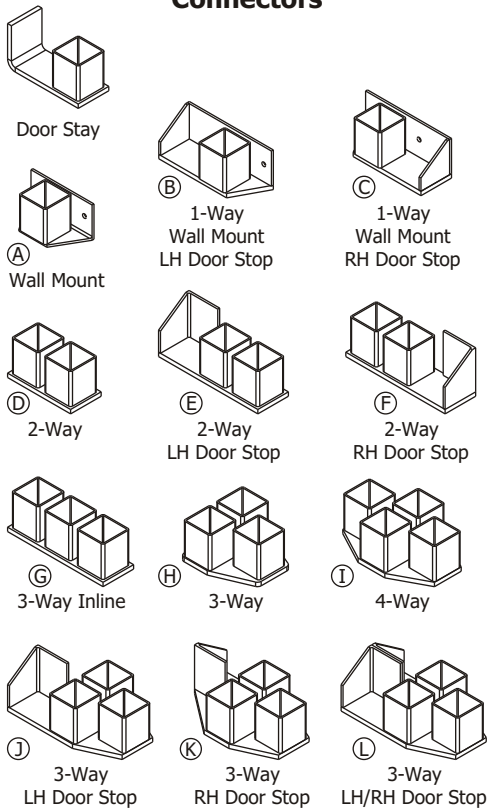


Always insert all lower floor side connectors before placing any panel into its final mounting position.

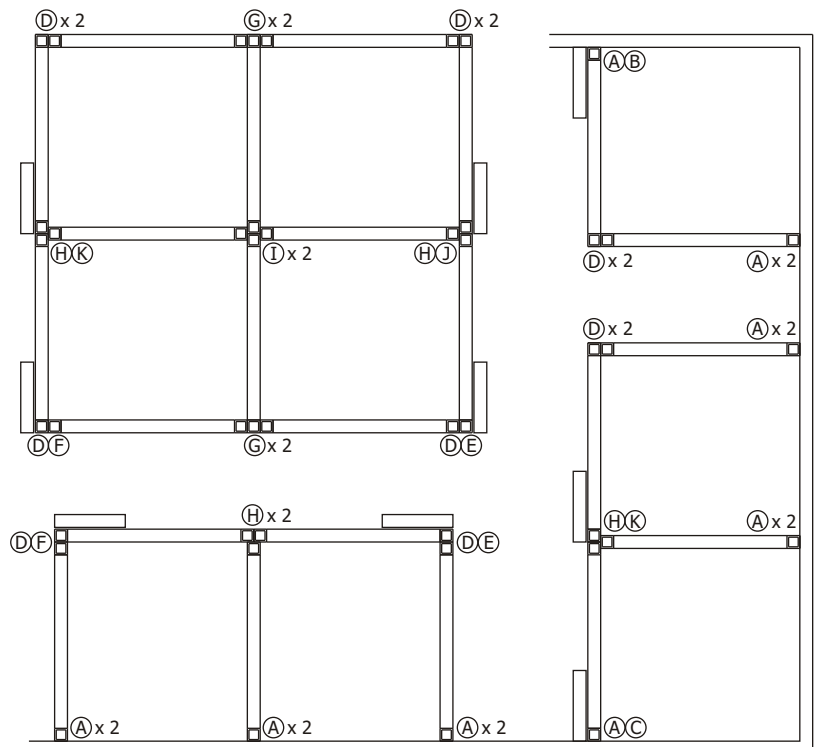


Holes are provided in the connectors and threshold to secure with concrete anchors (not provided).

Connectors



Connector Applications

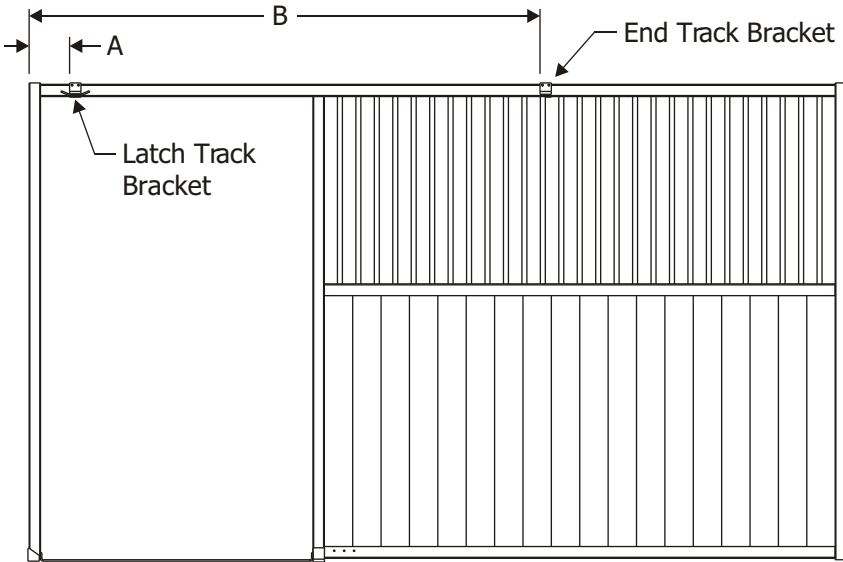
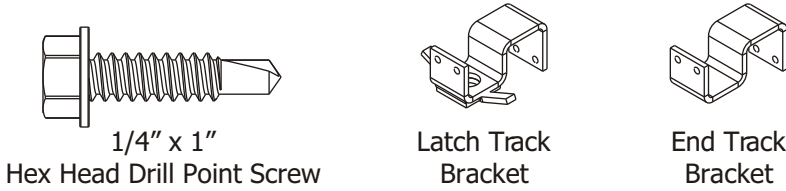
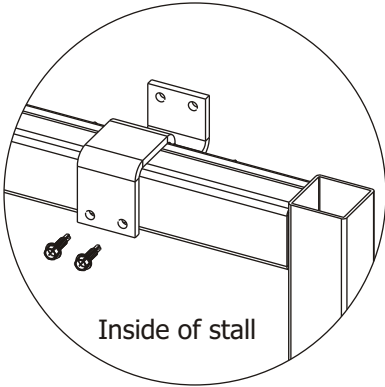



Door/Track Installation

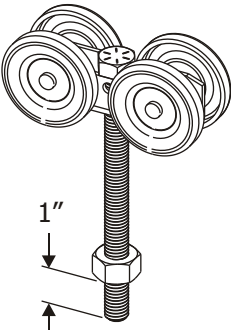
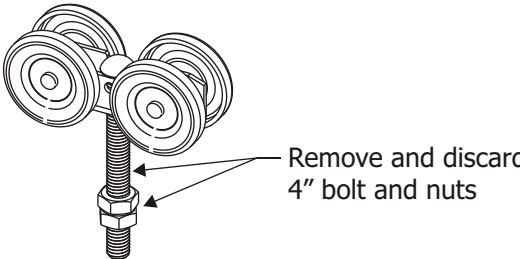
From the outside edge of the front panel, locate the latch track bracket and end track bracket (see table).

	A	B
Grill Top Doors	7 1/8"	90"
V-Insert Doors	5 1/2"	91 1/2"

Secure with included hex head drill point screws through the holes in the bracket.

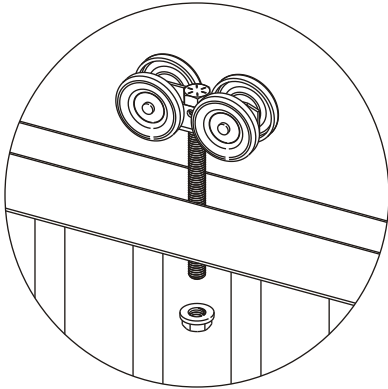


 If your trolley comes pre-assembled with a 4" bolt and jam nuts, please remove and discard them. Use the 6" bolt, nut and flange nut supplied.



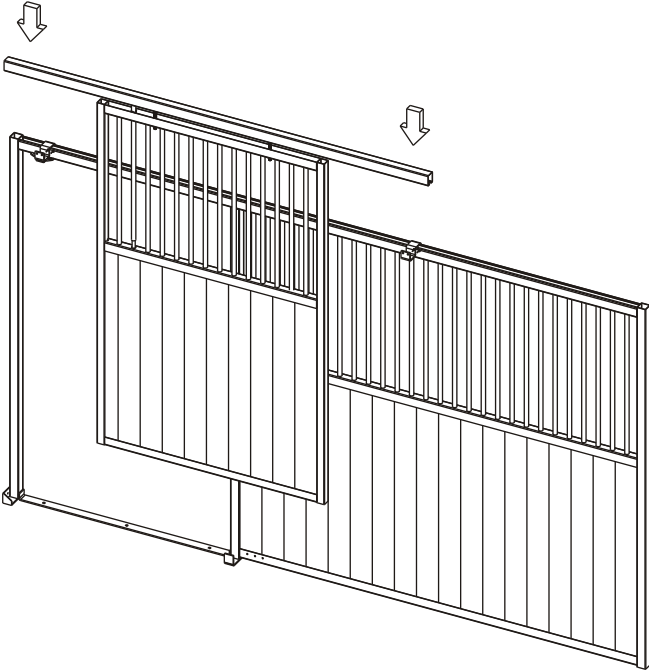
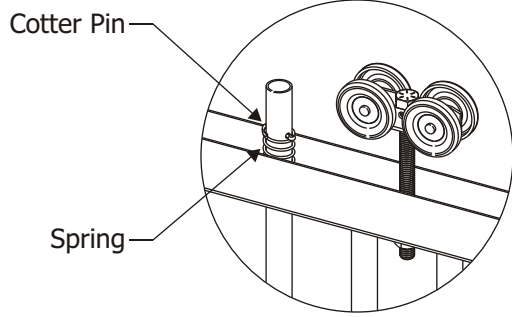
Insert 6" bolt into trolley.
Screw nut approximately 1" onto bolt.

Insert trolley through holes in top of door.
Thread flange nut onto trolley bolt. Do not fully tighten. Final adjustments will be made after stall front is complete.



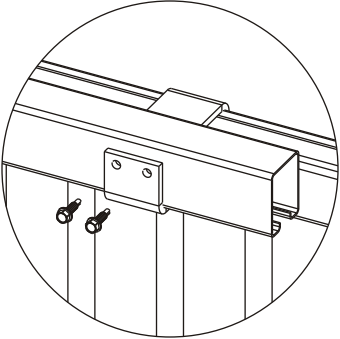
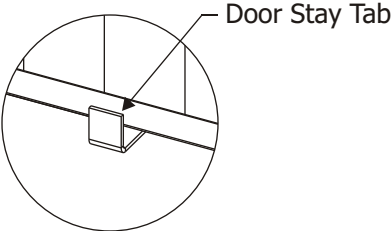
Door/Track Installation

Before sliding square track onto trolleys, be sure the latch bar is inserted through the top of the door with spring between the channel and cotter pin.

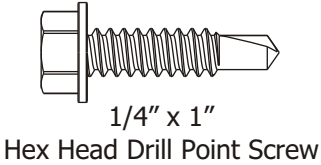


Slide square track onto trolleys and center it approximately with the door.

Set door/track assembly into track brackets. The bottom of the door should be on the inside of the door stay tab.



Secure track to brackets with 1/4" x 1" hex head drill point screws.



Make final adjustments with the trolley bolt nuts so the door slides freely then tighten nuts securely.

